

CALIS CAS series

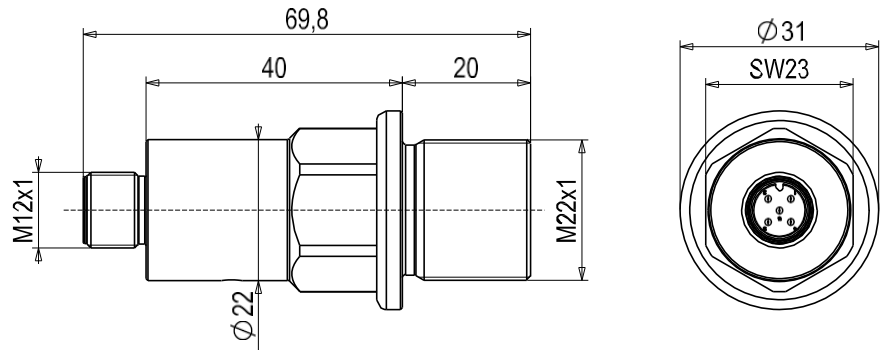
CAS-MQDT-S01-____-



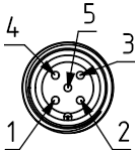
Product image



Dimensional drawing



M12 connector, 5-pin



Pin	Signal	Description
1	v	Operating voltage
2	Analog level signal	4...20 mA analog output
3	GND	0V
4	Do not connect	Applying voltage may damage the sensor.
5	n.c.	-

Technical Data

Operating voltage	24 V DC (16.8...30.0 V) 14.4 V for max. 0.1 s, 33.6 V for max. 1.0 s
Process connection	V4A
Operating temperature	-40 °C (-40 °F)...+55 °C (131 °F)
Storage temperature	-40 °C (-40 °F)...+70 °C (158 °F)
IP rating	IP65
Communication interface	Analog output 4...20 mA
Measuring principle	ToF
Laser class (IEC 60825-1:2015-7)	940 nm Class 1
Measuring range	As specified, in the range of 40 mm to 1200 mm

CAS-MQDT-S01-____-



Accuracy	typically +/- 20mm at 20 °C
Initialization time	<1 s
Response time	2.2 s
Operating current (IB)	Typically 30.5 mA at 24 V
Maximum output load, current output	250 Ω
Inrush current	typically 8.55 A at 24 V
Fuse integral	typically 123.97 A ² μs at 24 V
MTBF	>175,000 h

Legal Notice

The information contained in this document regarding sensors, sensor switches, devices, applications, and software is provided for informational purposes only and may be superseded by updates at any time. It is your responsibility to ensure that your applications comply with your specifications. CAPTRON makes no express or implied representations or warranties regarding the information, including, but not limited to, its content, condition, quality, and fitness for a particular purpose. CAPTRON disclaims any liability arising from this information and its use. The use of CAPTRON sensors, sensor buttons, devices, applications, and software in life-support and/or safety-critical applications is solely at the buyer's risk, and the buyer agrees to defend, indemnify, and hold CAPTRON harmless from any damages, claims, lawsuits, or costs resulting from such use. Unless otherwise stated, no licenses to CAPTRON's intellectual property rights are granted, either implicitly or otherwise.

Trademarks

The name and logo of CAPTRON, CANEO, and oneGRID are registered trademarks of CAPTRON in various countries and are the property of CAPTRON Electronic GmbH. All other trademarks mentioned herein are the property of their respective companies. © 2024, CAPTRON Electronic GmbH, All rights reserved.