

CALIS CAS series

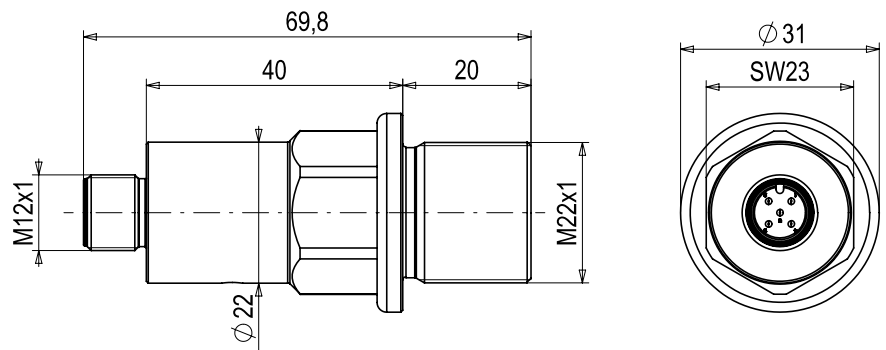
CAS-MQEU-M01-\_\_\_\_\_



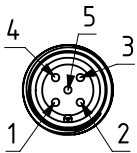
Product image



Dimensional drawing



Plug M12, 5-pin



Pin	Signal	Description
1	U <sub>v</sub>	power supply
2	Analog fill level signal	4...20 mA (0% ... 100% fill level); 2mA at warning level or failure
3	GND	0V
4	digital output IO-link communication	PNP, NPN, PushPull; NO/NC
5	n.c.	-

Technical specifications

Operating voltage	— DC 24 V (16,8...30,0 V) for max. 0,1 s 14,4 V, for max. 1,0 s 33,6 V
Material	Housing: V4A Front window: glass
Operating temperature	-40 °C (-40 °F)...+70 °C (158 °F)
Storage temperature	-40 °C (-40 °F)...+70 °C (158 °F)
IP protection level	IP67
Analog interface	4 ... 20mA (0% ... 100% fill level) 2mA at warning level or failure
Digital output	PNP, NPN, PushPull; NO/NC

## CAS-MQEU-M01-\_\_\_\_\_



Communication interface	IO-link version 1.1
Measuring principle	ToF
Laser class (IEC 60825-1:2015-7)	940 nm class 1
Measuring range	40 mm -1200 mm
Accuracy	+/- 20mm at 20°C
Activation time	<1 s
Response time	2,2 s
Operating current (IB)	typical 30,5 mA at 24 V
Maximal load analog interface	250 Ω
Switch-on current	typical 8,55 A at 24 V
Inrush current characteristics	typical 123,97 A <sup>2</sup> μs at 24 V
MTBF	>780.00h bei 40°C; >144.000h bei 70°C

## Legal notice

The information contained in this document regarding sensors, SENSORswitches, devices, applications, and software is for informational purposes only and may be updated at any time. It is your responsibility to ensure that your applications conform to your specifications. CAPTRON does not make any representations or warranties, expressly or implied, with respect to the information, including but not limited to its content, condition, quality, and suitability for a particular purpose. CAPTRON rejects any liability arising from this information and its use. The use of CAPTRON sensors, SENSORswitches, devices, applications, and software in life support and/or safety applications is solely at the risk of the end consumer who purchased the product. The end consumer further agrees to defend, indemnify, and hold CAPTRON harmless from any damages, claims, actions, or expenses arising from such use. Unless stated otherwise, no licenses to CAPTRON's intellectual property rights are transferred, implied or otherwise.

## Trademark

The CAPTRON, CANEO, and oneGRID names and logos are registered trademarks of CAPTRON in various countries and are the property of CAPTRON Electronic GmbH. All other trademarks mentioned herein are the property of their respective owners.

© 2024, CAPTRON Electronic GmbH, all rights reserved.