

Content: [Short description / Technical data \(Page 1\)](#)
[Configuration help \(Page 2\)](#)
[Additional information / Connection diagram \(Page 3 & 4\)](#)

Different shapes, installation depths and plug-in connections mean that the CHT3 series is suitable for a wide range of uses.

The CHT3-4 series has been developed for mounting = Ø 22.5mm. So, this SENSORswitch series can be installed in Siemens or Möller housings, for example. The mounting is done by a knurled nut which is included in the delivery. The protective collar ("Protector") prevents unintentional activation.

The main area of application for the CHT3-4 SENSORswitch series is mechanical engineering and plant building.

The customer can choose from a wide range of available symbols for the switch surface (symbol list: [Link](#)). In addition to the optical feedback by 16 bright LEDs, the SENSORswitches can be ordered with a tactile feedback by vibration.

Please find below the most important features listed:

- Ø 50 mm total diameter
- For 22,5mm mounting holes
- M18x1 knurled nut mounting
- Protector against unintended activation
- 55mm height
- Customization through symbols
- Optional: Tactile feedback (Vibration)

CAPTRON can provide individual advice to enable you to choose the perfect product from the CHT3 series for the required specifications and applications.

Please contact us:

Phone: +49 (0)8142 / 44 88 – 160
 E-Mail: sales@captron.com



Technical data at 24 V and 20 °C:			
Supply voltage:	DC 24V DC (16,8 ... 32V)	Short-circuit protection:	Short-circuit and overload protection
Load current:	Max. 400 mA	Voltage drop:	max. 3 V at 400 mA
Output:	PNP-NO (<i>NPN-NO optional</i>)	Current consumption:	max. 30 mA at 24V DC
Output signal:	approx. 300ms (Option „Dynamic“) Permanent signal (Option „Static“)	Operation temperature:	-30 ... +80°C (Dynamic) 0 ... +55°C (Static)
LED 1:	8 green LEDs	Degree of protection (IP):	Frontside IP69K
LED 2:	8 red LEDs	Type of operation:	Capacitive
Reverse polarity protection:	Protection of all lines	Operation force:	No operation force required



Configuration help CHT3-5

Type code 1 – with output signal Dynamic ¹:

CHT3	-	C1 5	C2 5	C3 6	C4 P	O1	-	C5 H	/	-	C6 SR
------	---	----------------	----------------	----------------	----------------	-----------	---	----------------	---	---	-----------------

Example: CHT3 - 5 5 6 P - H / TG - SR

Type code 2 – with output signal Static ¹:

CHT3	-	C1 5	C2 5	C3 6	C4 P	O1	-	C5 H	/	-	C6 SR	/	ST
------	---	----------------	----------------	----------------	----------------	-----------	---	----------------	---	---	-----------------	---	----

C1 – Mounting ²

Code	Description
5	Ø 60mm, M18 thread; for mounting Ø 22.5mm with protection collar
-	-
-	-

C2 - Type of connection ⁴

Code	Description
5	Connector M8
7	Single strands 200mm with ferrules
8	Single strands 200mm with ferrules
-	-

C3 – Colour of housing

Code	Description
6	Traffic black (RAL 9017)
-	-
-	-
-	-

C4 - LED control ³ / Numbers of pins / Output

Code	Description
P	Semi-Automatic / 4-pin / PNP-NO
B	Manual / 5-pin / PNP-NO
N	Semi-Automatic / 4-pin / NPN-NO*
-	-

* currently only available with connection type "5 - connector M8"!

O1 – Option 1 / Tactile feedback

Code	Description
V	Tactile feedback (vibration) *
-	-
-	-

* only available with connection type „7 – single strands“ (LED control „P“ / „B – Manual“) or „5 – connector M8“ (LED control „P - Semi-Automatic“)

C5 - Symbol on switch surface

Code	Description
30	White surface
H	Hand (green on white)

For further symbols please see our Symbol list ([Link](#))*

* all symbols marked as „Standard“ are already available from 1 pieces / order up without any surcharge.

C6 – LED colours (LED1 – LED2)

Code	Description
TG-SR	Green (LED1) / Red (LED2) - Standard
TG-YW	Green (LED1) / Yellow (LED2) *
BU-SR	Blue (LED1) / Red (LED2) *

* currently only available with the LED control "Semi-Automatic" as standard!

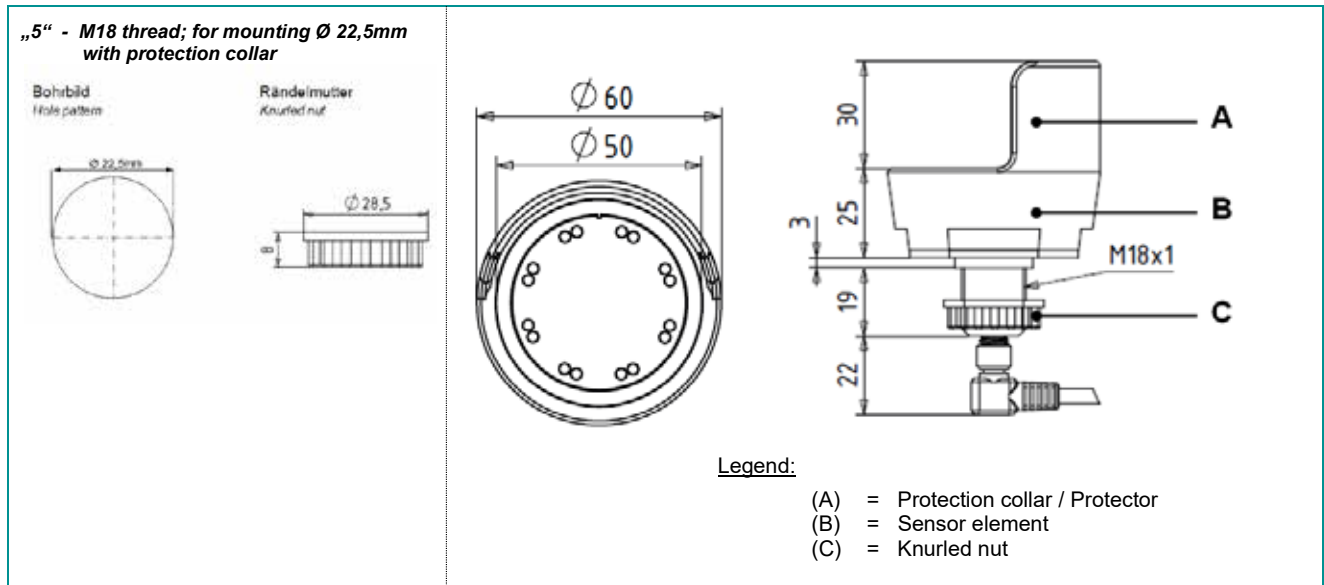
--- Please note the additional information and explanations on the following pages. Thank you! ---

Additional information & explanations on the previously described configuration items:

to 1):

- Output signal**
- **Dynamic:** The output signal is time-limited to 300ms, independent of the duration of actuation.
 - **Static:** The SENSORswitch switches as long as the button surface is touched (= permanent signal).

to 2) / Mounting & dimensions



to 3) / LED control & connection diagrams:

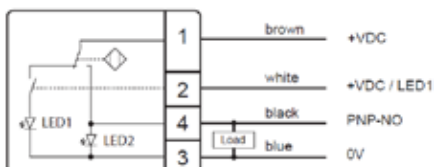
LED control - Semi-Automatic (P / N):

LED1 (e.g. green / operating state) can be controlled separately. When the SENSORswitch is actuated, LED1 goes out and LED2 (e.g. red / switching state) lights up

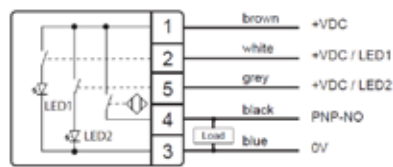
- Manual (B):

Both LED1 and LED2 can be controlled separately as required.

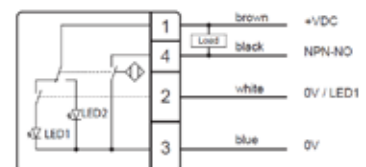
Connection diagram:



Connection diagram „P“
PNP-NO // Semi-Automatic



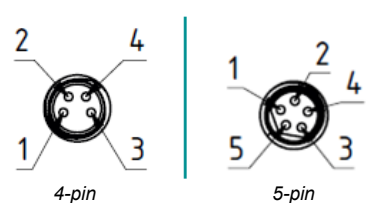
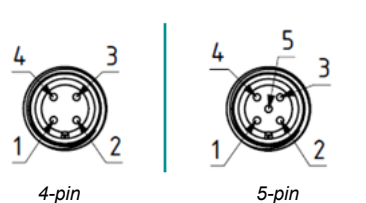
Connection diagram „B“
PNP-NO // Manual



Connection diagram „N“
NPN-NO // Semi-Automatic

--- PLEASE TURN OVER ---

to ⁴⁾ / Types of connection:

<p>Connector M8 („CHT3-5...“)</p>  <p style="text-align: center;">4-pin 5-pin</p>	<p>Connector M12 („CHT3-8...“)</p>  <p style="text-align: center;">4-pin 5-pin</p>
<p>Single strands 200mm („CHT3-7...“)</p> <p style="text-align: center;"><i>Single strands 200mm with ferrules</i></p> <p style="text-align: center;"><i>(Wire end ferrules with plastic collar DIN 46228; wire cross-section strands 0.25 mm²)</i></p> <p style="text-align: center;">4-pin 5-pin</p>	

You need support with the configuration?

Our internal sales team will be happy to advise you on this (Tel.: +49 (0)8142 / 44 88 – 160; sales@captron.com)

You need data sheets and/or 3D data?

Please also contact our internal sales department. Thank you.